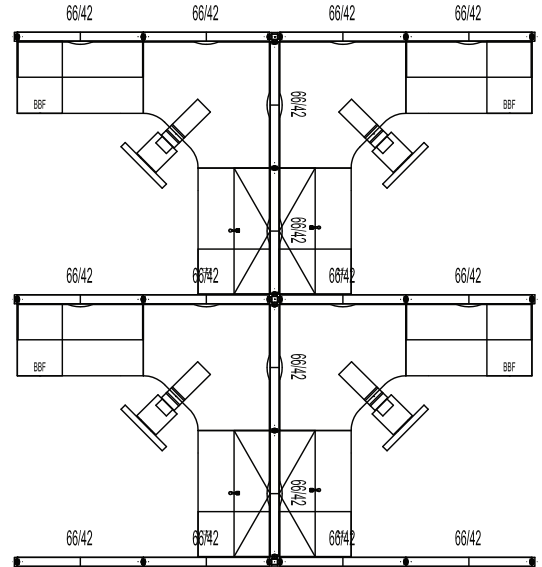
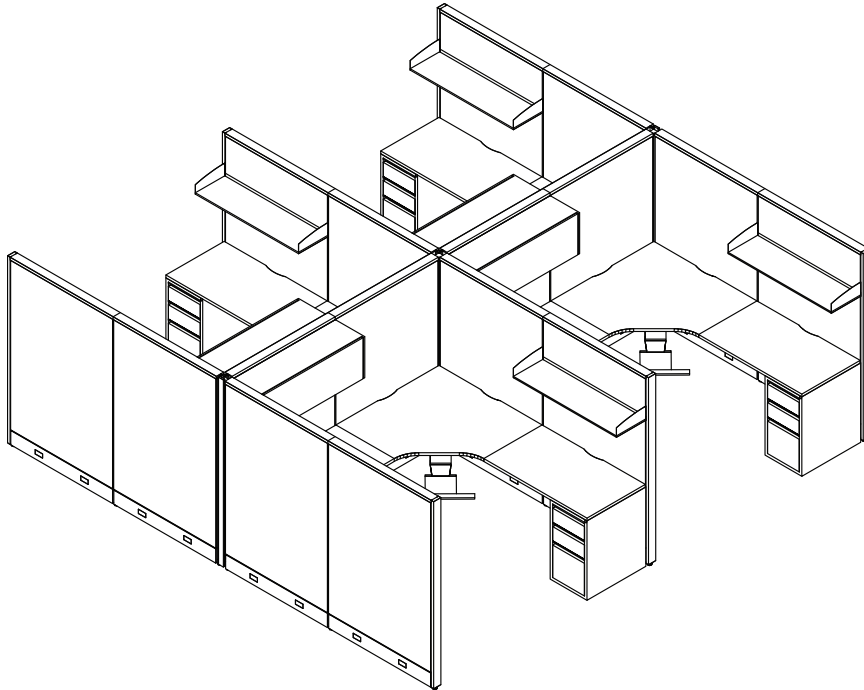


Sample Layouts

Layout 7

evolvefurnituregroup.com



QTY	MODEL NUMBER	DESCRIPTION	LIST PRICE	EXTENDED
4	EVHC24L	Cantilever 24" Single - Left	77	308
4	EVHC24R	Cantilever 24" Single - Right	77	308
2	EVHCB2	Corner Brackets -Left and Right (pair)	17	34
8	EVHPB1	Pedestal Bracket	19	152
2	EVPCP366	3-Way Post 66", includes post connecting hardware and trim	245	490
1	EVPCP466	4-Way Post 66", includes post connecting hardware and trim	285	285
6	EVPER66	End-of-Run Post Kit, includes post with leveling glide, clamp and and trim	83	498
16	EVPFAM6642	Fabric Acoustic Monolithic Panel - 66"H x 42"W	461	7,376
8	EVPIC66	Connector 66", includes post with leveling glide and double clamp	62	496
4	EVSBBF24LP	Box, Box, File Pedestal, freestanding on worksurfaces supporting 24"D	447	1,788
4	EVSFF24LP	File, File Pedestal, freestanding on worksurfaces supporting 24"D	447	1,788
4	EVSLK12	Lock for Flipper Door Storage	36	144
4	EVSOF1242	Overhead Flipper Door Storage, 12" x 42"	382	1,528
4	EVSSL1242	Low Profile Shelf - 12" x 42"	99	396
4	EVWAK1	Adjustable Keyboard Clamp and palm rest	242	968
4	EVWCK4224	Keyboard Worksurface - 42" x 24"	477	1,908
8	EVWS2442	Worksurface with 3mm PVC edge trim 1 1/8" thick - 24" x 42"	146	1,168