

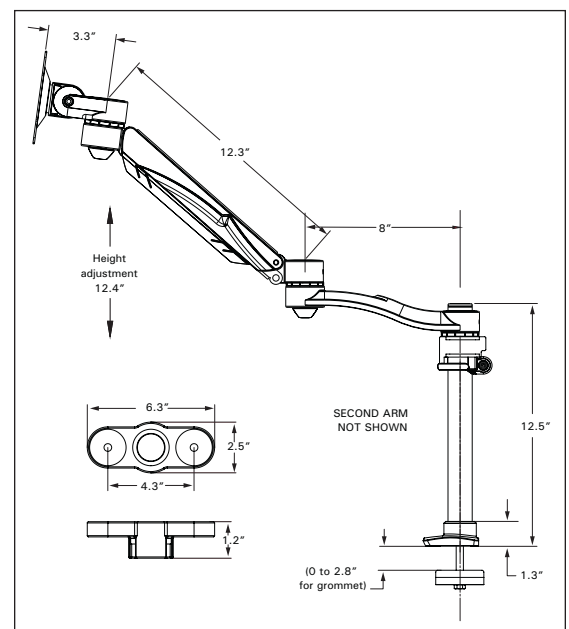
MONITOR ARM - DUAL SCREEN (EVLCD06)

EVOLVE | PRODUCT SHEET

Monitor Arm - Dual Screen/Dual Extension/Height Adjustable, model EVLCD06. Flexibility and modularity reach new heights with the Dual Mounting Hub from the Evolve Furniture Group. The monitor arm hub provides an ideal solution for multiple monitor configurations. Discover the unlimited possibilities.



Monitor Arm Specifications



FEATURES:

- Frees up valuable worksurface space and supports a sit/stand working posture.
- Used for side-by-side or back-to-back applications.
- Attaches to any standard worksurface with flush edge or through a grommet.
- Monitor arm adjusts from 3" to 12" above worksurface.
- Counterbalanced arm provides an additional 13" of height adjustment.
- Monitor connecting bracket swivels 360° and tilts +/- 90° (180°).
- Double extension has 19" of back and forth movement to allow for different vocal depths of viewing comfort.
- Built in cable clips on underside of extension arms and pole base allows organized cable management.
- Quick-release VESA plate included.
- Available in White (WHT), Black (BLK) and Silver (SIL).

Evolve Furniture Group

17 West Stow Rd. P.O. Box 562 Marlton, New Jersey USA 08053

T 856.552.4000 888.827.2500 F 856.552.4001

evolvefurnituregroup.com